

# STARDOT

*Vandal Resistant Dome Camera*



## H.264

MULTI-MEGAPIXEL SECURITY CAMERA

*H.264, M-JPEG  
Plus ANALOG*

*1.3, 3 or 5  
MEGAPIXEL*

*DAY/NIGHT*

## ***STREAMING SIMULTANEOUS H.264, MJPEG and ANALOG***

- Increases Bandwidth Efficiency with H.264 Streaming
- Simultaneous H.264, M-JPEG Plus Analog Video
- Outputs up to 5 Megapixel, 1080P, 720P and NTSC/PAL
- Indoor/Outdoor Vandal Resistant Design
- Up to 15 Times More Resolution than CCTV Cameras
- Available in 1.3, 3 and 5 Megapixel
- Internal Events trigger NVR / Email / FTP
- Power Over Ethernet, 12VDC or 24VAC
- 3 Axis Gimbal for Easy Adjustment
- Automatic Day/Night IR Filter
- Operates to -40° Without Heater

***UNPARALLELED CUSTOMIZATION AND SCALABILITY***

**STAR DOT**<sup>®</sup>   
Technologies

1-877-275-1616  
[www.StarDot.com](http://www.StarDot.com)

# STARDOT

## Vandal Resistant Dome Camera

# H.264

MULTI-MEGAPIXEL SECURITY CAMERA

### IMAGING

- All Models: RGB, CMOS, Frame Transfer, Up to 30 FPS
- 5MP: 2592x1944 / 3MP: 2048x1536 / 1.3MP: 1296x976
- Light Sensitivity: 0.3 Lux color, 0 Lux in IR mode (on IR models w/ IR illuminator)
- Automatic (with manual override) Day/Night mechanical IR filter mechanism (on IR models)
- Video out BNC, allows viewing of video on standard CCTV monitor, MUX, DVR
- Exposure range: 1/48,000 second - 0.7 seconds
- Auto/manual exposure, auto/manual color balance, sharpening, auto/manual haze, defective pixel replacement
- Contrast enhancement, gamma correction, DNR (digital noise reduction), adaptive image resolution (low light)
- Integrated video motion detection
- Customizable date/time/text overlay
- Lens Mount: Industry standard CS-Mount (C-Mount compatible)
- Operating System / CPU
- uClinux operating system / Motorola Coldfire CPU
- Built-in web server, telnet server, email client and FTP client
- Supported protocols: TCP/IP, HTTP, FTP, ARP, NTP, Telnet, Daytime, X/Y/Z modem
- 32MB DRAM, 4MB Flash Memory, 32MB Imaging Buffer
- Security: Password-protected user accounts for viewing and configuring NetCam SC
- Image format: JPEG, M-JPEG, adjustable quality/file size, H.264 up to 5 Megapixel

#### • H.264:

- H.264 up to **5 Megapixel**
- Compression Standard: AVC / H.264 (ISO/IEC 14496-10)
- Adaptive Search Range Estimation
- Variable GOP Structure: I-Only and IP
- Profiles Supported: Baseline
- System Latency: < 33ms (ultra low mode)
- Levels of Compression: 30
- VBR (variable bit rate) and/or CBR (constant bit rate)
- Fixed 16 by 16 and 8 by 8 block sizes for easier decode
- All 16 by 16 intra prediction modes supported, optionally only the easiest for decode
- Selectable P frame count
- Full sensor speed compression, most sizes 30fps, highest resolution @ 10fps
- JPEG available at full speed when using H.264
- Compatible with any baseline decoder implementation
- Designed using features selected for easier decode on multi-playback NVR systems

### CONNECTIVITY

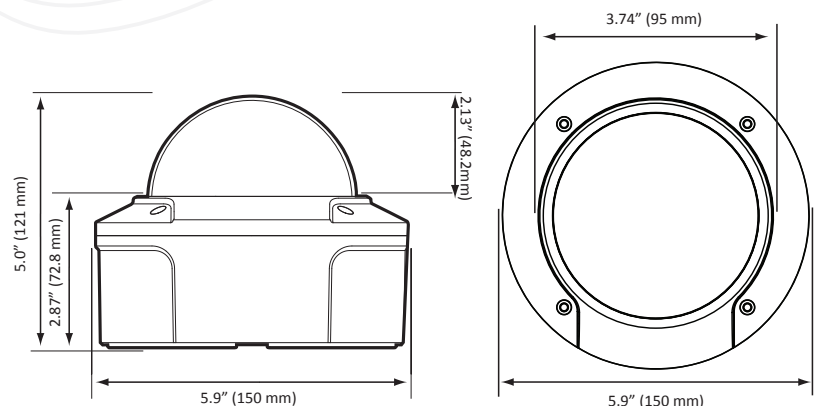
- 1 x 10/100-baseT Ethernet, RJ-45, PoE 802.3af (Power over Ethernet)
- 1 x BNC Video Output (NTSC/PAL)
- 1 x RS-232 Serial Port, DB9 Male, up to 115.2Kb/s

### PHYSICAL

- Dimensions: 5.9" Diameter (150mm) x 4.7" H (120mm)
- Weight: 44 Ounces (1247 grams)
- Operating Temperature Range: -40° - +122° F (-40° - +50° C)
- Power Requirements: 12VDC/ 24VAC/ POE
- Power Options:
  - 10-20VDC, 500mA @ 12V
  - 802.3af approved PoE switch or PoE power injector (48VDC)
  - 24VAC
- EMI Approval: FCC, Class A, CE (EN55024)
- IP66 Weather Resistance Rating

### Available Models

SDH500VN	H.264 5MP with Day/Night
SDH500V	H.264 5MP
SDH300V	H.264 3MP
SDH130VN	H.264 1.3MP with Day/Night
SDH130V	H.264 1.3MP



www.stardot.com  
6820-H Orangethorpe Ave  
Buena Park, CA 90620 USA  
1-877-275-1616  
714-908-2380 • 714844-4336 Fax